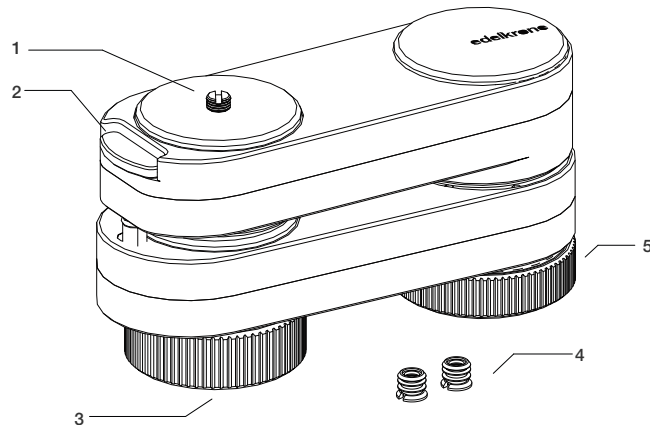


1. WHAT'S IN THE BOX & THE BASICS



- | | |
|---------------------------|--------------------------------|
| 1. 1/4"-20 mounting screw | 4. Reducer bushing/adapter* x2 |
| 2. Safety lock | 5. Friction adjustment |
| 3. 3/8"-16 mounting port | |

**1/4"-20 to 3/8"-16 mounting screw adapter and 1/4"-20 reducer bushing for mounting port are provided.*

DISCLAIMER

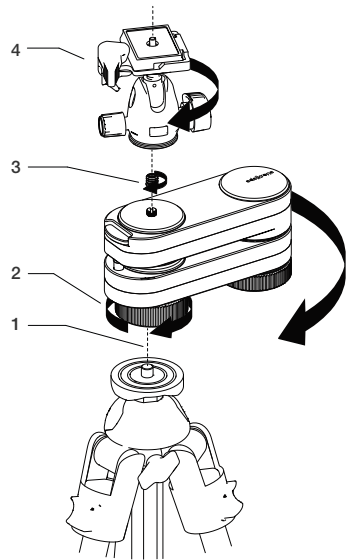
edelkrone cannot be held responsible for damage caused by improper use or modification of the product.

 For more information and tips about your Wing, please watch the user's manual videos at: <http://edel.kr/wng>


TABLE OF CONTENTS

1. WHAT'S IN THE BOX & THE BASICS
2. MOUNTING YOUR WING AND A TRIPOD HEAD
3. PRECAUTIONS

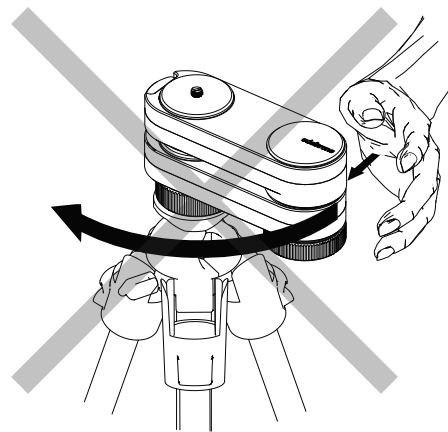
2. MOUNTING YOUR WING AND A TRIPOD HEAD



1. Align your Wing with your tripod's 3/8"-16 screw.
2. Rotate clock-wise holding Wing by the textured base.
3. If you're using a tripod head with a 3/8"-16 mounting port, you will need to attach the included adapter.
4. Mount the tripod head over Wing by rotating clock-wise.

 A detailed video explaining the mounting process can be found at:
<http://edel.kr/wng>

3. PRECAUTIONS



Do not try to tighten your Wing by holding its body. (Use textured base ring to tighten)

Lock your Wing while not in use for safety.

 A detailed video explaining the precautions and warnings can be found at:
<http://edel.kr/wng>

WING USER'S MANUAL

Before operating your edelkrone,
please watch the user's manual video from the link below

<http://edel.kr/wng>



edelkrone
filmmaking solutions