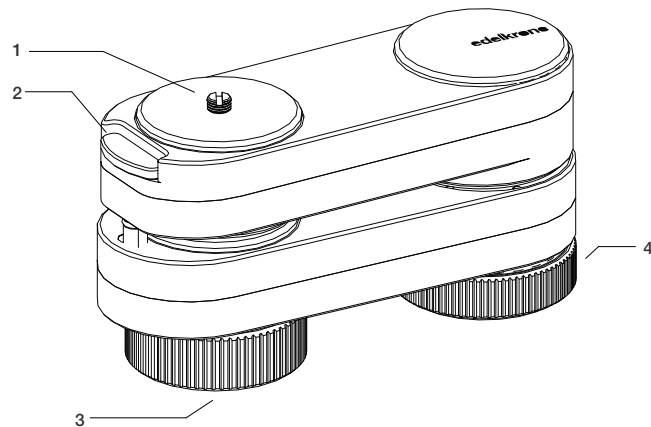


## 1. WHAT'S IN THE BOX & THE BASICS

---



- 1. 3/8"-16 mounting screw
- 2. Safety lock

- 3. 3/8"-16 mounting port
- 4. Friction adjustment

## DISCLAIMER

---

edelkrone cannot be held responsible for damage caused by improper use or modification of the product.

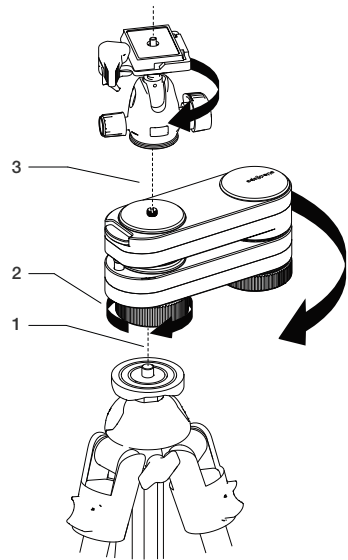
 For more information and tips about your Wing PRO, please watch the user's manual videos at: <http://edel.kr/wngp>

## TABLE OF CONTENTS

---

- 1. WHAT'S IN THE BOX & THE BASICS
- 2. MOUNTING YOUR WING PRO AND A TRIPOD HEAD
- 3. PRECAUTIONS

## 2. MOUNTING YOUR WING PRO AND A TRIPOD HEAD

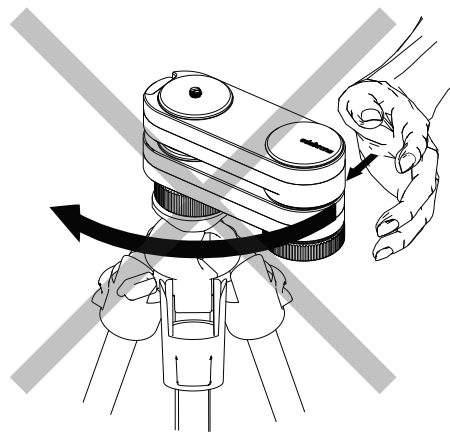


1. Align your Wing PRO with your tripod's 3/8"-16 screw.
2. Rotate clock-wise holding Wing PRO by the textured base.
3. Mount the Tripod head over Wing PRO by rotating clock-wise.



A detailed video explaining the mounting process can be found at:  
<http://edel.kr/wngp>

## 3. PRECAUTIONS



*Do not try to tighten your Wing PRO by holding its body. (Use textured base ring to tighten)*

*Lock your Wing PRO while not in use for safety.*



A detailed video explaining the precautions and warnings can be found at:  
<http://edel.kr/wngp>

## WING PRO USER'S MANUAL

Before operating your edelkrone,  
please watch the user's manual video from the link below

<http://edel.kr/wngp>



**edelkrone**  
filmmaking solutions