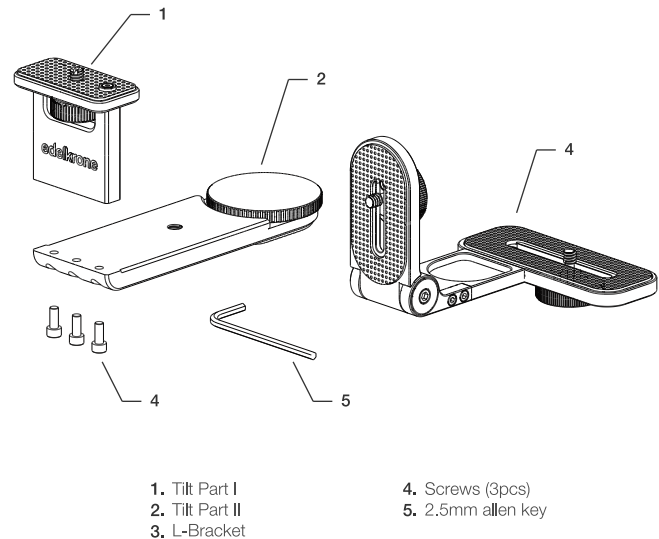


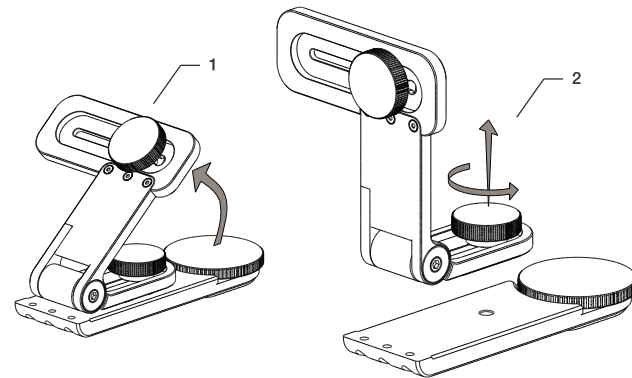
TABLE OF CONTENTS

1. WHAT'S IN THE BOX & BASICS
2. DISASSEMBLY OF THE PARTS
3. ASSEMBLY OF THE TILT PART I & II
4. FINDING THE CENTER OF GRAVITY
5. MOUNTING WITH HEADONES (PAN & TILT)
6. MOUNTING WITH HEADONE (TILT ONLY)
7. ADJUSTING TENSIONS

1. WHAT'S IN THE BOX & BASICS



2. DISASSEMBLY OF THE PARTS

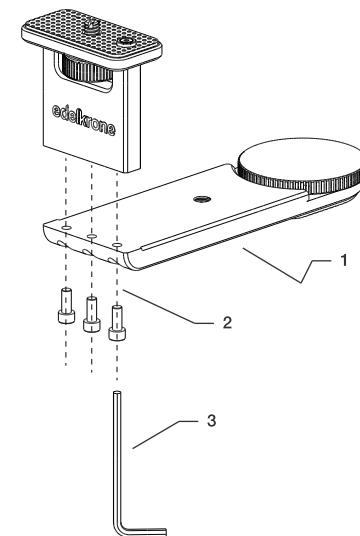


These two parts come out of the box as assembled for safe shipping.

1. To disassemble the parts, unfold L-Bracket as indicated above.
2. Rotate the knob and remove L-Bracket from Tilt Part

▶ More detailed video is available at <http://edel.kr/tilt2>

3. ASSEMBLY OF THE TILT PART I & II



1. Remove the allen key from the Tilt Part II. (It's hidden and magnetically snapped under it.)
2. Align the parts as indicated.
3. Use the screws & allen key to assemble both parts.

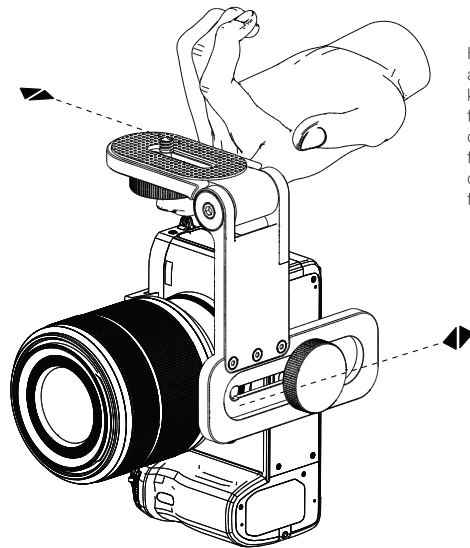
▶ More detailed video is available at <http://edel.kr/tilt2>

DISCLAIMER

edelkrone cannot be held responsible for damage caused by improper use or modification of the product.

▶ For more information and tips about your Tilt Kit V2, please watch the user's manual videos at: <http://edel.kr/tilt2>

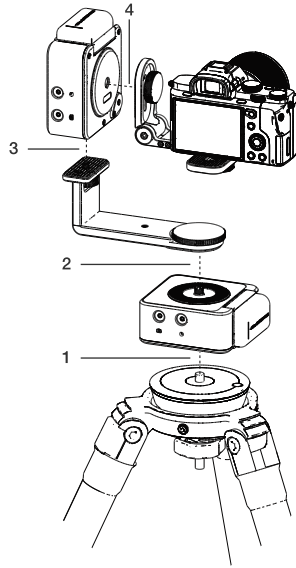
4. FINDING THE CENTER OF GRAVITY



Hold your setup from the knob as shown above. Slide over the knob on related axes' lines and find the best position where your camera is balanced on your finger. This position gives the center of gravity of your camera for Pan & Tilt axes.

▶ More detailed video is available at <http://edel.kr/tilt2>

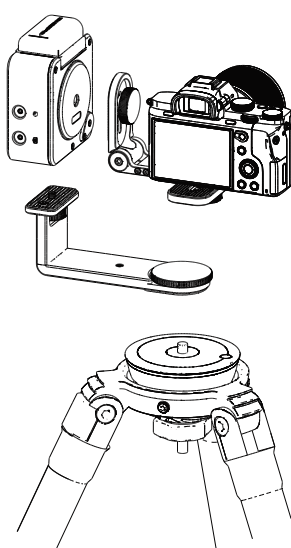
5. MOUNTING WITH HEADONEs (PAN & TILT)



1. Mount one HeadONE on your tripod.
2. Mount tilt part on your HeadONE.
3. Mount second HeadONE on tilt part vertically.
4. Mount your Camera with L-Bracket to HeadONE.

▶ More detailed video is available at <http://edel.kr/tilt2>

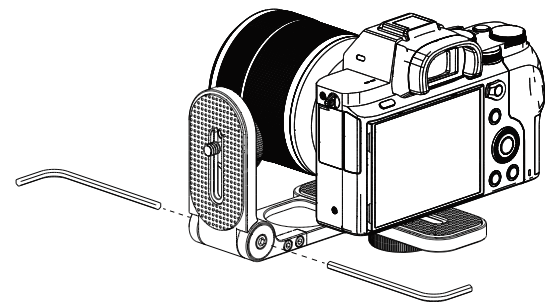
6. MOUNTING WITH HEADONE (TILT ONLY)



You can also use your Tilt Kit v2 with one HeadONE for only Tilt motion.

▶ More detailed video is available at <http://edel.kr/tilt2>

7. ADJUSTING TENSIONS



Use the allen key to adjust the tension of L-Bracket. If you are not able to move, try loosening the tension. After adjusting your angle, thighten back the screws to keep your L-Bracket in its right position.

▶ More detailed video is available at <http://edel.kr/tilt2>

TILT KIT V2

for HEADONE

USER'S MANUAL

Before operating your edelkrone, please watch the user's manual video from the link below

<http://edel.kr/tilt2>



edelkrone
filmmaking solutions