

HOLLYLAND

PANEL ANTENNA

User Manual

Version 1.4.0

DESCRIPTION

Thank you for purchasing Hollyland Panel Antenna. The product is to be used with Hollyland wireless transmission systems. It can effectively extend the transmission distance with a directional characteristic.

The receiver of the panel antenna uses five channels high gain antennas, which can extend the working distance up to 600 meters comparing with normal antenna under the same circumstances, meanwhile it can also reduce the interference from the back of the panel antenna.

The product is applicable to scenarios when there is a long distance between the transmitter and the receiver, or when multiple sets of transmission systems are used simultaneously. You may refer to this user manual for specific operation methods.

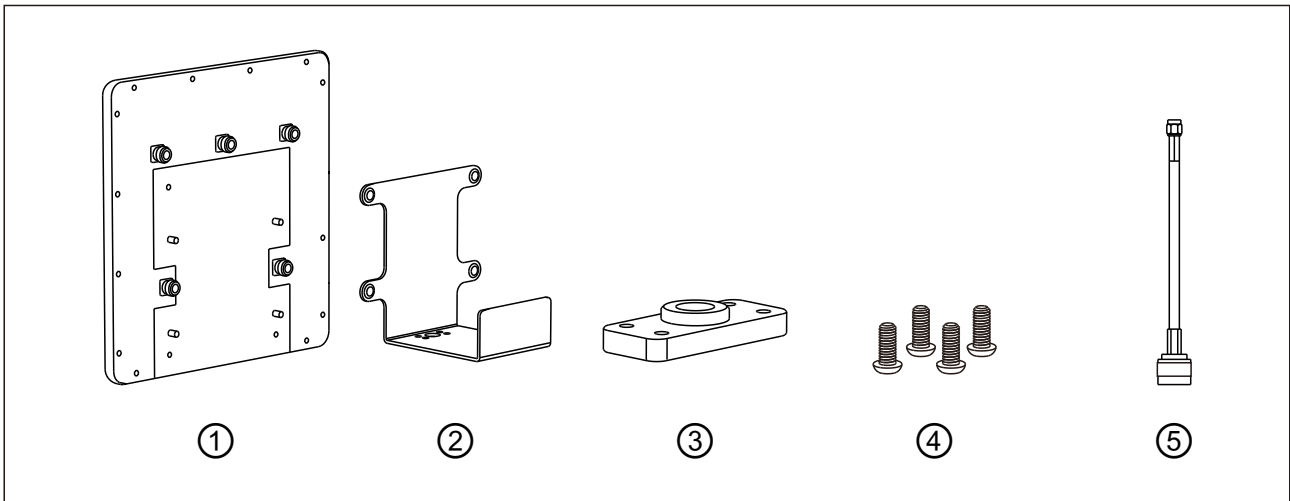
■ KEY FEATURES

- Effectively Extend the Transmission Range for Wireless Transmission Systems

■ APPLICATIONS

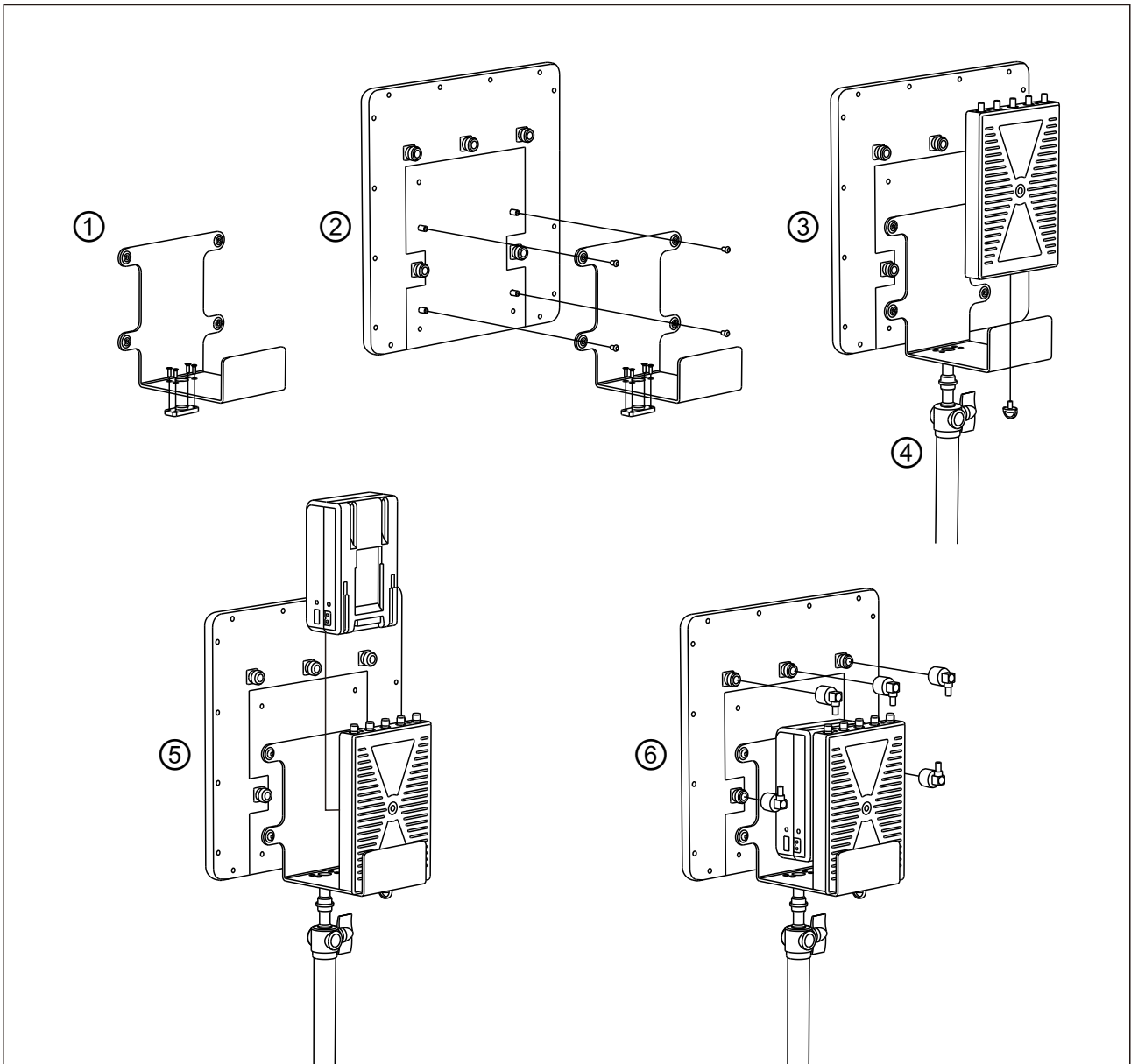
- Long Directional Transmission Range
- Support Multiple Sets Working Simultaneously

PACKING LIST



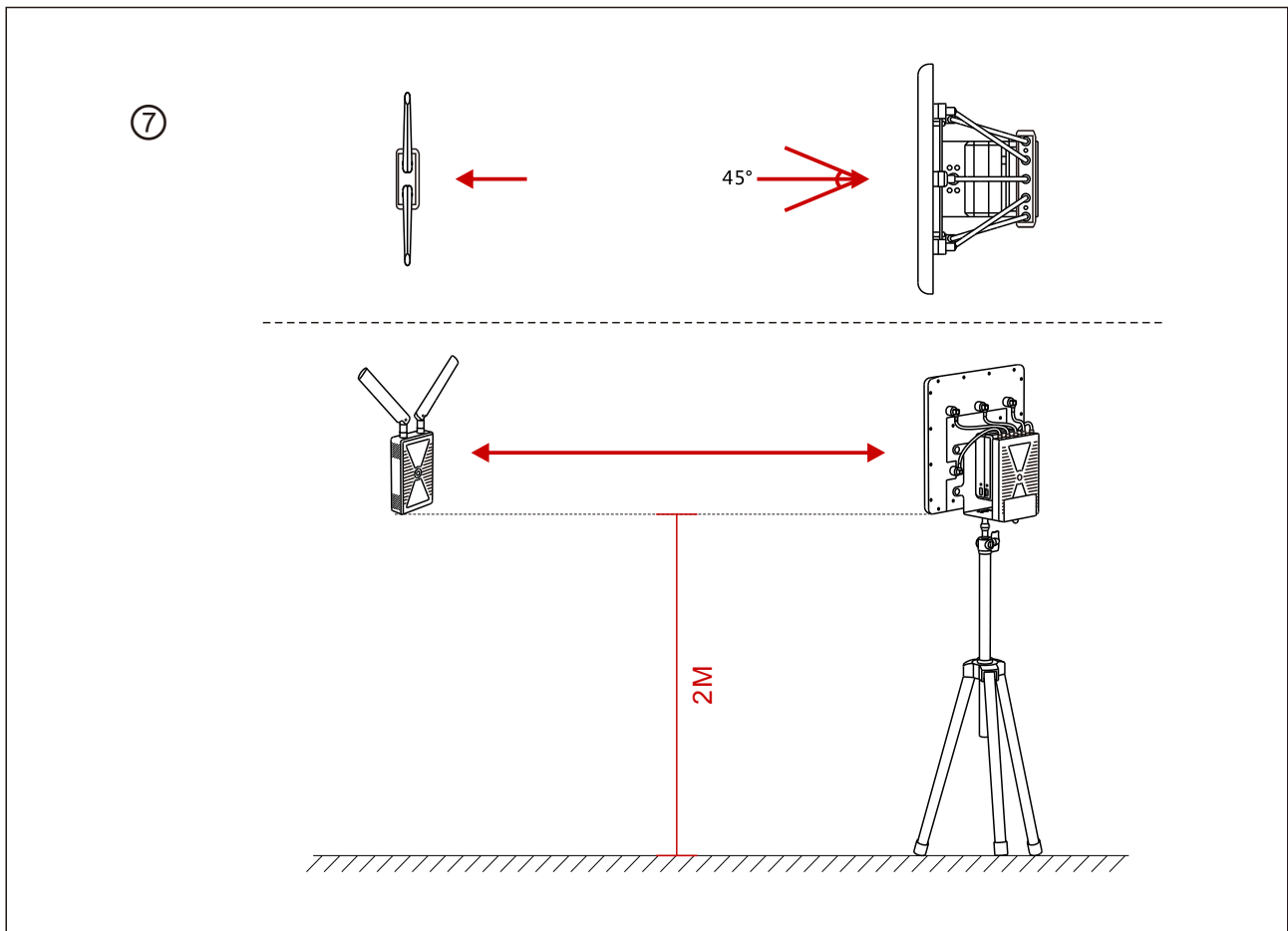
- | | |
|-------------------------------------|-----------|
| ① Panel Antenna | x 1 |
| ② Supporting Plate | x 1 |
| ③ SUS Reinforced Pad | x 1 |
| ④ M3*8mm Screw | x Several |
| ⑤ NJWC-SMA Coaxial Connection Cable | x 5 |

TYPICAL SETUP



- ① Install the SUS reinforced pad on the supporting plate and fix them by 4 screws.
- ② Fix the supporting plate on the panel antenna by 4 screws.
- ③ Align the installation hole on the bottom of the receiver with the installation hole of the supporting plate and fix them by an $\frac{1}{4}$ slotted C-ring hand screw.
- ④ Fix the assembled parts on a tripod through the $\frac{3}{8}$ hole on the SUS reinforced pad.
- ⑤ Install the battery on the receiver.
- ⑥ Connect the five ports on the panel antenna with the five antenna interfaces on the receiver by the NJWC-SMA coaxial connection cables and slightly tighten the connections by hands.

TYPICAL SETUP




- ⑦ Connect the video output cable with the receiver and set both the transmitter and the receiver on the same channel, then face the front side of the panel antenna to the transmitter directly and adjust the height of the panel antenna 2 meters above from ground.

PARAMETERS

Frequency	5.0~5.9GHz
Antenna Gain	14±0.5dBi
(F/B Ratio)	25dB
Isolation	26dB
Horizontal Beamwidth	40±5°
Vertical Beamwidth	40±5°
VSWR	2.0
Polarization	No5: 3 vertical polarization, 2±45°
Maximum Power	100W
Characteristic Impedance	50ohm
Operating Temperature	-40 ~+55
Connector Model	N-K
Lightning Protection	DC Ground
Installation	Holder
Mechanical Specifications	
Antenna Dimension	305*305*25mm(L*W*H)
Radames Material	ABS
Weight (Accessories Included)	1970g
Wind-Resistant	36.9m/s

1. No video within 3-10 meters. Check the video input and output. It is not related to the performance of the antenna.
2. Low video quality within 100-600 meters. Check if the panel antenna is assembled and installed correctly. If it is, check if the NJWC-SMA coaxial connection cables are damaged and if the interfaces are stained with dusts. While working properly, 4-5 signal lights should be on the receiver.
3. The video image has noise from time to time. The causes might be interference from other wireless devices, or movement or blockage of any persons or metal obstacles between the transmitter and the receiver.
4. When used outdoors: if the panel antenna is used with a tripod fix and reinforce it in case it falls down to the ground by strong wind or accidental collision.
5. After using: collect the antenna and its accessories and put them packing box. Change the NJWC-SMA coaxial connection cables on a regular basis (according to actual using situation). If there are stains on the interfaces of the panel antenna and the receiver cleans them with alcohol.



 HollylandTech

 HollylandTech

 HollylandTech

 sales@Hollyland-tech.com

 www.hollyland-tech.com