

Videohub Master Control Pro



When you need to access your whole router without sacrificing speed, then Videohub Master Control Pro lets you scroll your router sources and destinations with the easy to use spin knob control or via direct button entry. You can even see all routes on the beautiful LCD! Powers via DC or the Ethernet connection!

Anschlüsse

Ethernet

RJ45 Ethernet In and Out. Power over ethernet supported on Ethernet In. No power over ethernet on Ethernet Out.

RS-422

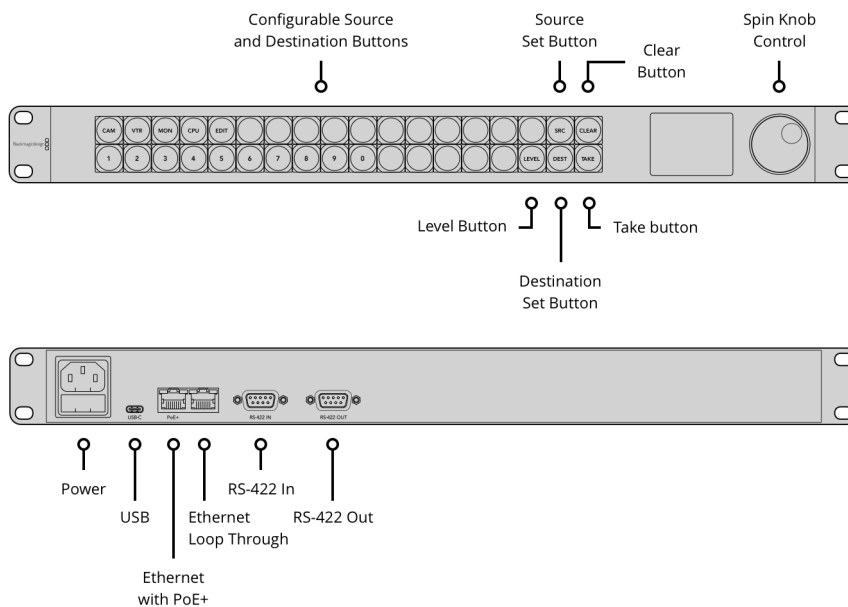
In and Out (for future implementation)

Computer Interface

USB-C for configuration and software updates.

Power

100 - 240 AC



Hardware Control

21 assignable buttons with scroll wheel for fast selection of source and destination. LCD information screen.

Internal Software

Internal Software upgrade via included firmware updater application via USB or ethernet.

Betriebssysteme



Mac 10.13 High Sierra,
Mac 10.14 Mojave oder höher



Windows 10

Physische Installation

1 rack unit size. Less than 3 inches deep.

Button Configuration

Included free for Windows™ and Mac™ via USB 2.0 high speed (480Mb/s) interface.

Strombedarf

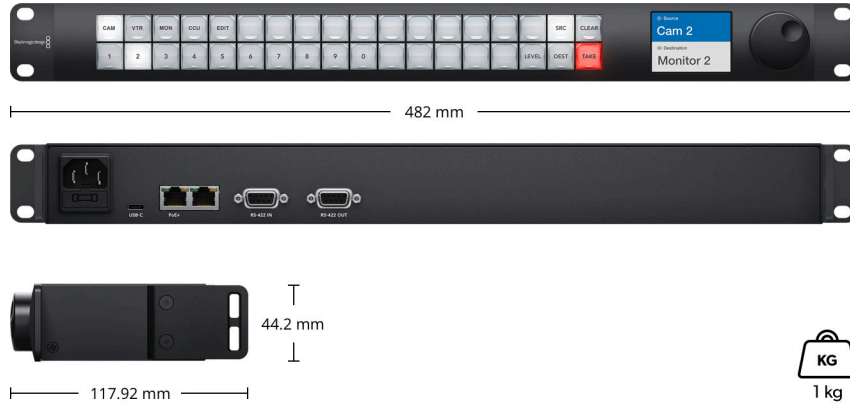
Power Fail Requirements

Button configurations and router communication preserved and restored instantly at power on. Button configuration can also be saved for later recall.

Power Supply

Internal 100 - 240 V AC

Physische Spezifikationen



Umgebung

Operating temperature

0° to 40° C (32° to 104° F)

Storage temperature

-20° to 45° C (-4° to 113° F)

Relative Humidity

0% to 90% non-condensing

Im Lieferumfang enthalten

Videohub Master Control Pro

Garantie

12 Months Limited Warranty.

Für alle Elemente auf dieser Website gilt das Copyright von Blackmagic Design Pty. Ltd. 2019;

Alle Rechte vorbehalten. Alle Handelsmarken sind Eigentum ihrer jeweiligen rechtmäßigen Besitzer.

*Unverbindliche Preisempfehlung inkl. MwSt. zuzüglich Versand- und Zustellungskosten.

Diese Website nutzt Remarketing-Dienste. Besuchern unserer Website werden unsere Inhalte auch auf Fremdanbieter-Websites angezeigt. Sie können sich jederzeit abmelden, indem Sie Ihre Cookie-Einstellungen ändern. [Datenschutzerklärung](#)

Zugelassene Blackmagic Design Reseller