

FLEXTILT HEAD V3

USER'S MANUAL

Before operating your edelkrone, please watch the user's manual video from the link below

<http://edel.kr/fhv3>

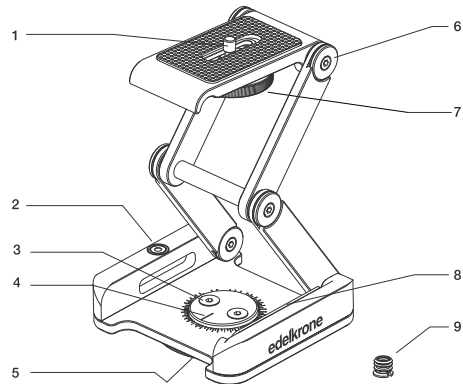


edelkrone
filmmaking solutions

TABLE OF CONTENTS

1. WHAT'S IN THE BOX & THE BASICS
2. MOUNTING YOUR FLEXTILT HEAD V3
3. MOUNTING THE CAMERA TO YOUR FLEXTILT HEAD V3
4. ADJUSTING TENSION OF YOUR FLEXTILT HEAD V3
5. CAUTIONS AND TIPS
6. USE WITHOUT A TRIPOD

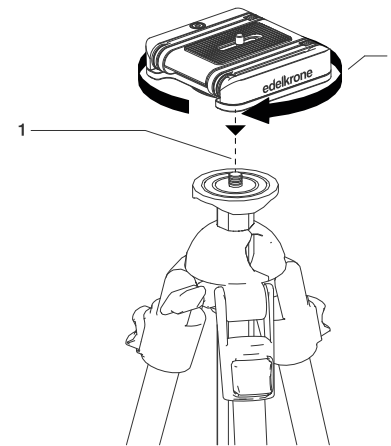
1. WHAT'S IN THE BOX & THE BASICS



- | | |
|-------------------------------|-------------------------------|
| 1. 1/4" - 20 Mounting screw | 6. 3mm Adjustment joints (x6) |
| 2. Spirit level | 7. Mounting wheel |
| 3. 3mm Adjustment joints (x2) | 8. 3mm allen wrench |
| 4. Pan marking | 9. Reducer bushing/adapter* |
| 5. 3/8" - 16 Mounting port | |

*1/4"-20 to 3/8"-16 mounting screw adapter and 1/4"-20 reducer bushing for mounting port are provided. The adapter is mounted on the 3/8"-16 port at the bottom. You can remove it with the help of a coin.

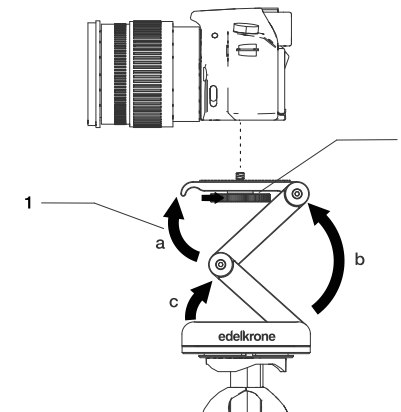
2. MOUNTING YOUR FLEXTILT HEAD V3



1. Place your FlexTILT Head v3 on the screw.
2. Rotate clockwise to tighten.
3. Continue rotating until it is tightened.

A detailed video explaining the mounting process can be found at: <http://edel.kr/fhv3>

3. MOUNTING THE CAMERA TO YOUR FLEXTILT HEAD V3

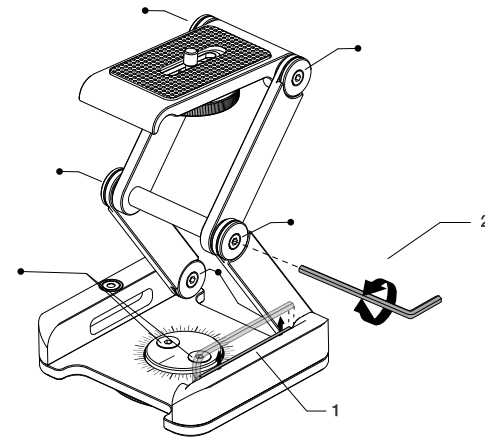


1. Unfold the FlexTILT Head v3 to access the mounting wheel.
2. Attach your camera using the mounting wheel.

When you are adjusting height, adjust one point at a time. (a,b,c)


A detailed video explaining the mounting process can be found at: <http://edel.kr/fhv3>

4. ADJUSTING TENSION OF YOUR FLEXTILT HEAD V3

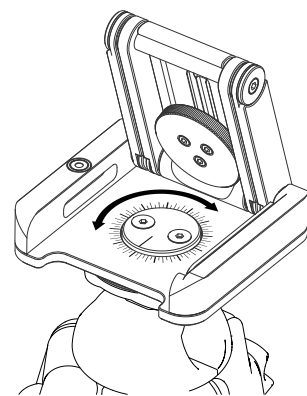


You can adjust the tension of the system with the help of a 3mm allen wrench.

1. Remove the 3mm allen wrench from the magnetic allen holder.
2. Simply tighten or loosen the screws on each side.

 A detailed video explaining the mounting process can be found at: <http://edel.kr/fhv3>

5. CAUTIONS AND TIPS



If the hash marks are turning, the FlexTILT Head v3 is panning.

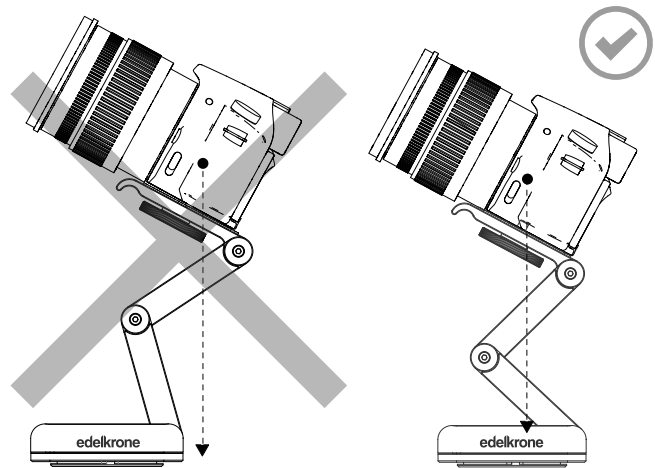
The FlexTILT Head v3 can pan for up to 340° degrees.


 When you are operating the FlexTILT Head v3, hold your camera for safety.

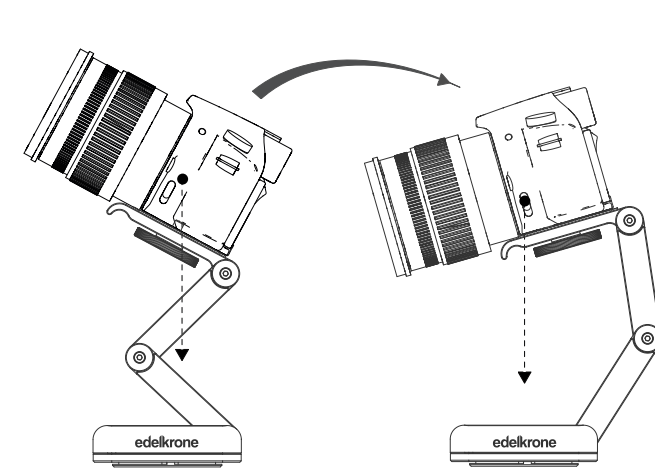
 Avoid placing your hand in the middle of the system in order to prevent pinching.

 A detailed video explaining other tips can be found at: <http://edel.kr/fhv3>


6. USE WITHOUT A TRIPOD



 To keep your set up balanced, ensure that the center of gravity is over the middle of the self standing area.



 If you want to aim the camera downwards/upwards, just keep the center of gravity in balance and set the height.

 A detailed video explaining how to balance and turn the camera can be found at: <http://edel.kr/fhv3>

DISCLAIMER

edelkrone cannot be held responsible for damage caused by improper use or modification of the product.

 For more information and tips about your FlexTILT Head v3, please watch the user's manual video at: <http://edel.kr/fhv3>