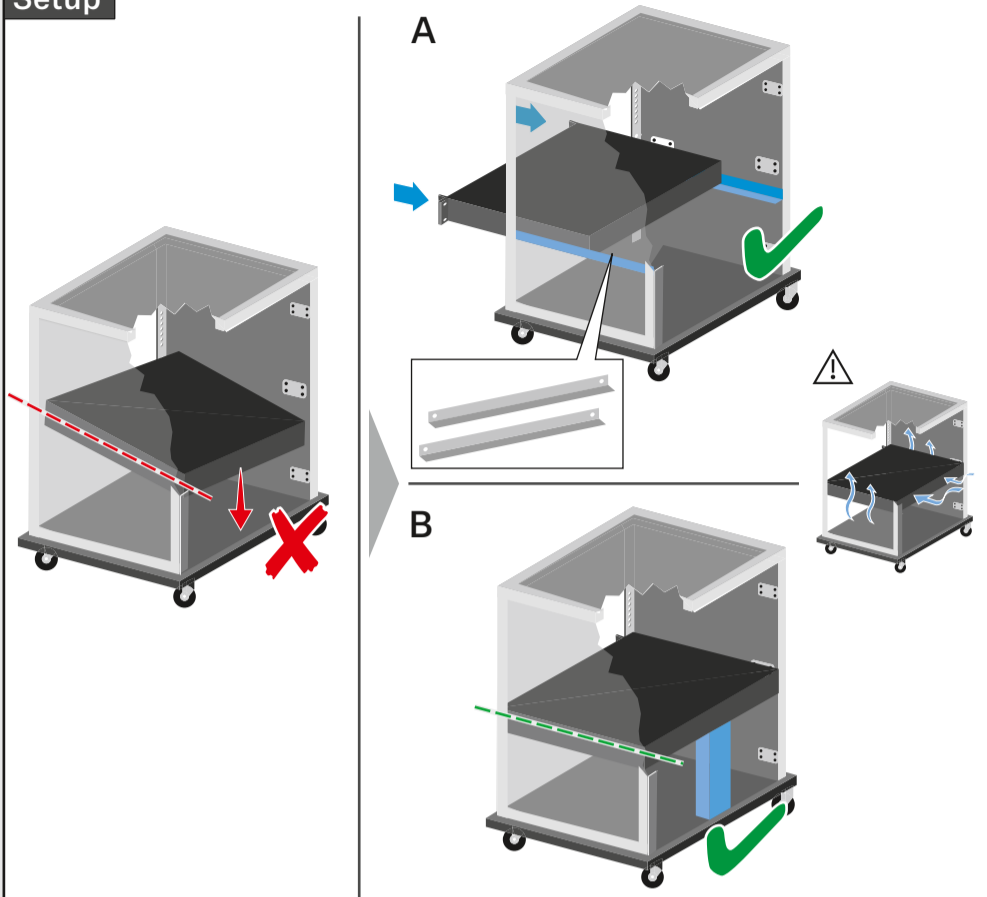




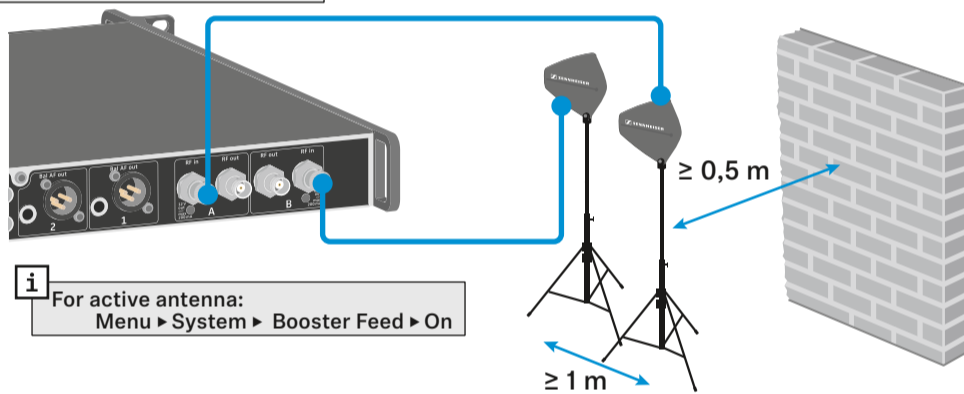
Digital 6000 EM 6000 | EM 6000 DANTE

Quick Guide | Kurzanleitung | Guide rapide | Guida rapida | Guía de inicio rápido | Guia rápido | Beknopte handleiding | Krótka instrukcja obsługi | Snabbguide | Kort vejledning | Pikaohje | Γρήγορος οδηγός | Kısa Kılavuz | Краткая инструкция | 快速指南 | 快速使用指南 | クイックガイド | 요약 설명서

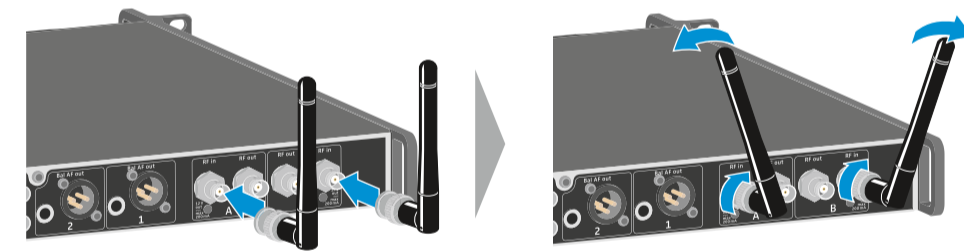
Setup



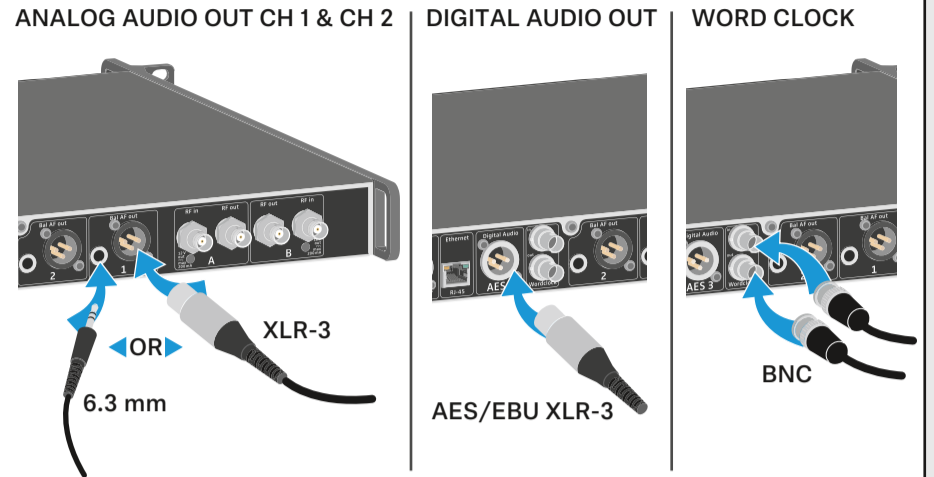
Recommended antenna setup for best performance



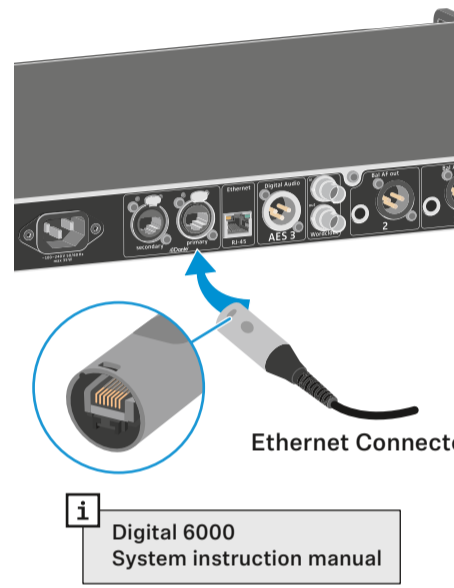
i For active antenna:
Menu ▶ System ▶ Booster Feed ▶ On



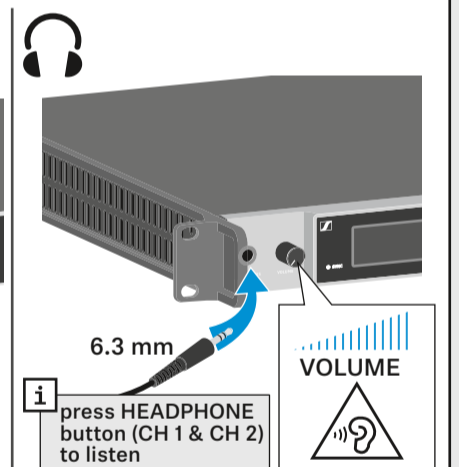
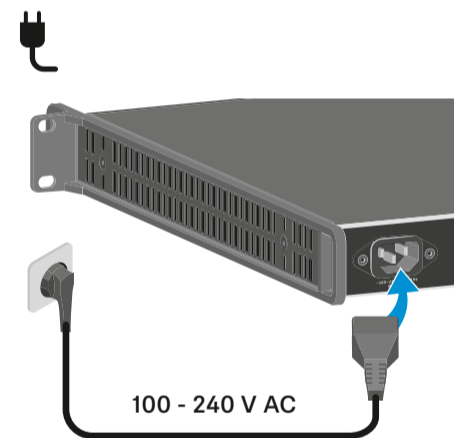
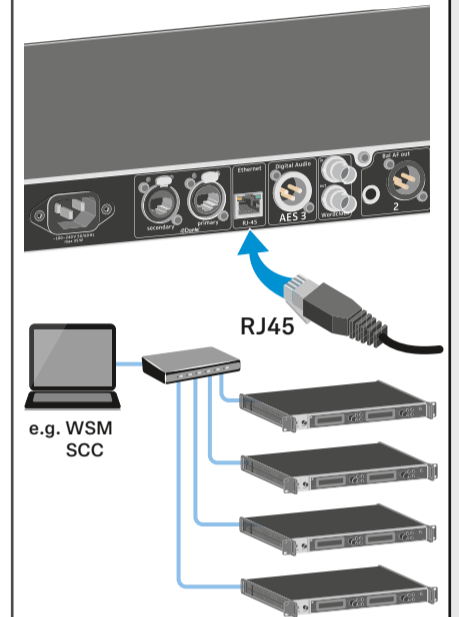
Setup



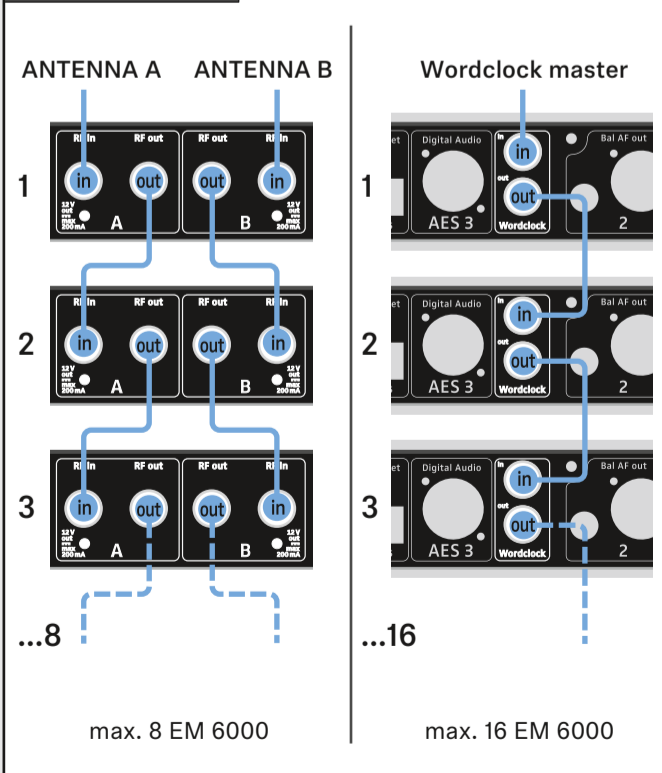
Audio Network (EM 6000 DANTE only)



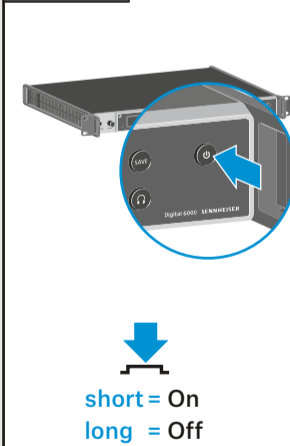
Remote Network



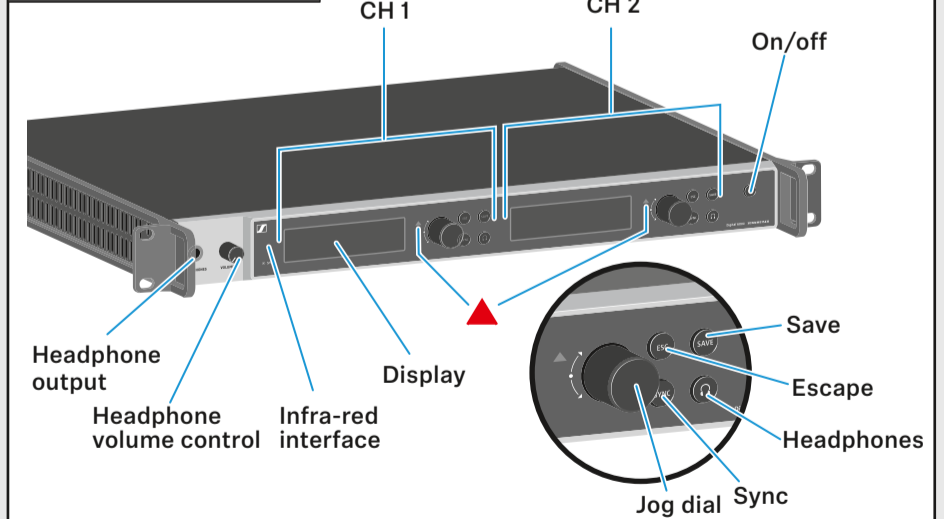
Daisy chaining



On/Off



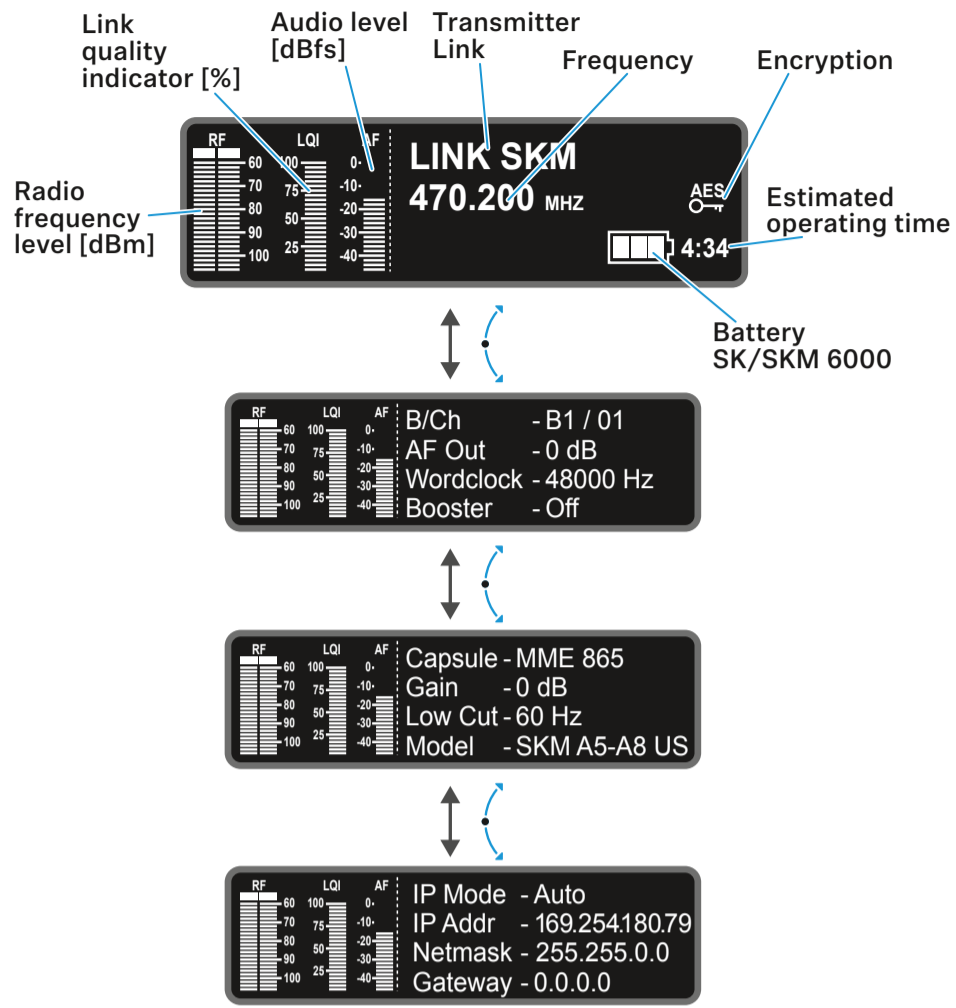
Operating elements



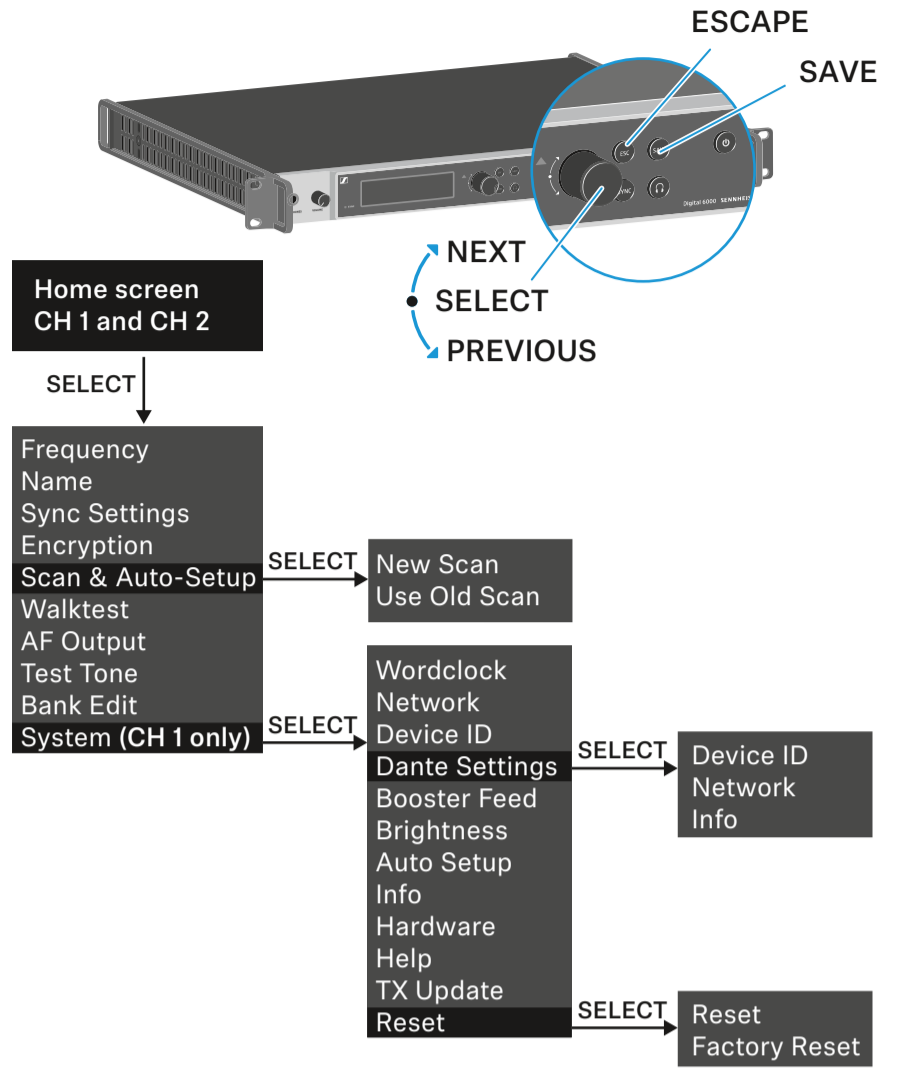
Digital 6000 System Instruction Manual

Sennheiser Documentation App
Available on Google play and the App Store
or online at www.sennheiser.com/download
Digital 6000_

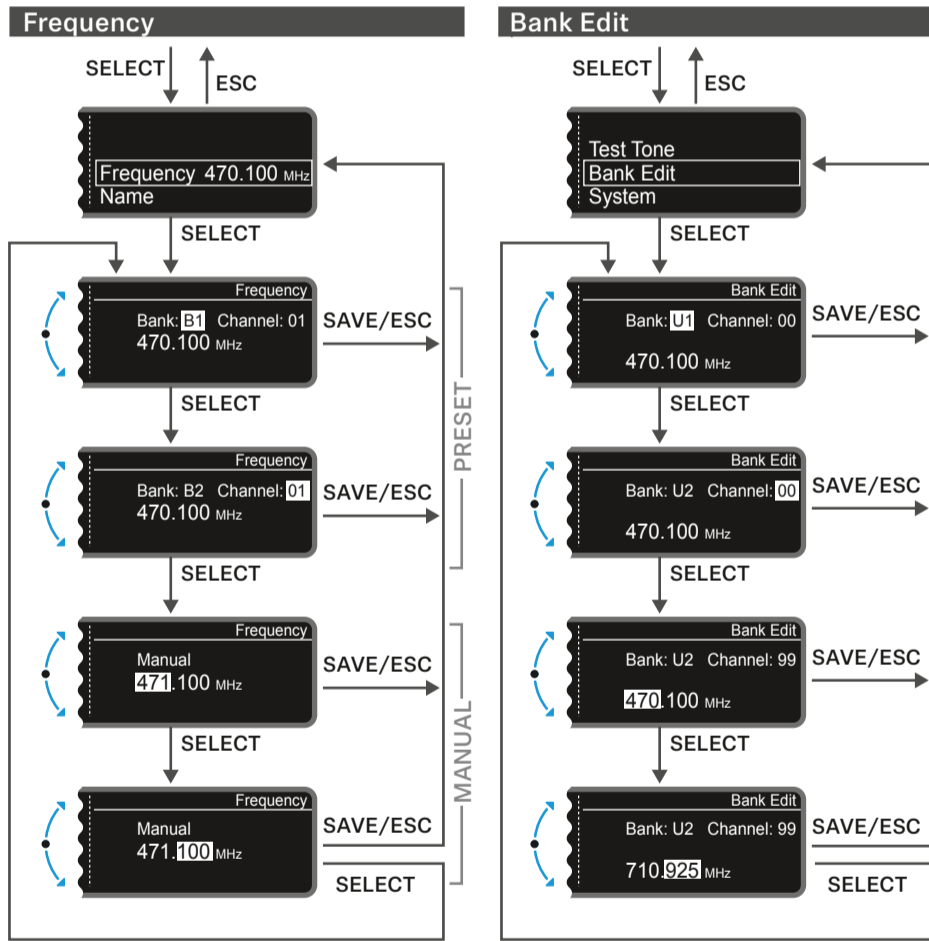
Home screens



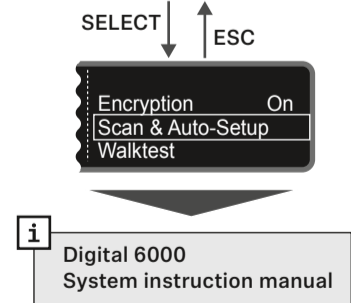
Menu



Change frequency



Scan & Auto-Setup



Digital 6000 System Instruction Manual

Sennheiser Documentation App

Available on Google play and the App Store.

or online at www.sennheiser.com/download

Search for Digital 6000_

Sync

