

FLEXTILT HEAD PRO

USER'S MANUAL

Before operating your edelkrone, please watch the user's manual video from the link below

<http://edel.kr/fthp>

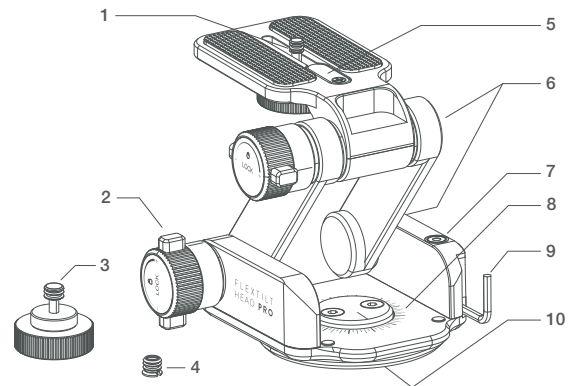


edelkrone
filmmaking solutions

TABLE OF CONTENTS

1. WHAT'S IN THE BOX & THE BASICS
2. ATTACHING THE 3/8"-16 MOUNTING WHEEL
3. MOUNTING YOUR FLEXTILT HEAD PRO
4. MOUNTING THE CAMERA TO YOUR FLEXTILT HEAD PRO
5. THE ADJUSTMENT/LOCKING KNOBS
6. ADJUSTING THE TENSION OF YOUR FLEXTILT HEAD PRO
7. CAUTIONS AND TIPS
8. USE WITHOUT A TRIPOD

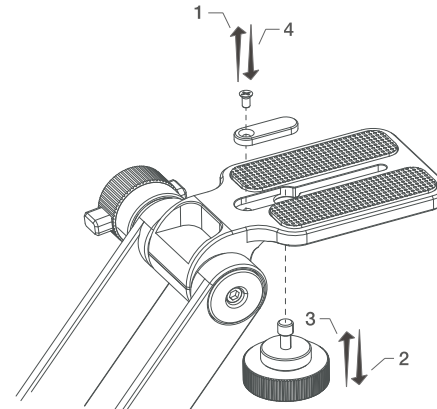
1. WHAT'S IN THE BOX & THE BASICS



- | | |
|----------------------------------|-------------------------------|
| 1. 1/4" - 20 mounting screw | 6. 3mm adjustment joints (x2) |
| 2. Level adjustment knobs (x2) | 7. Spirit level |
| 3. 3/8" - 16 mounting screw | 8. Pan marking |
| 4. Reducer bushing/adaptor* | 9. 3mm allen wrench |
| 5. Mounting wheel changing piece | 10. 3/8" - 16 mounting port |

*1/4"-20 to 3/8"-16 mounting screw adapter and 1/4"-20 reducer bushing for mounting port are provided. The adapter is mounted on the 3/8"-16 port at the bottom, which can be removed it with the help of a coin.

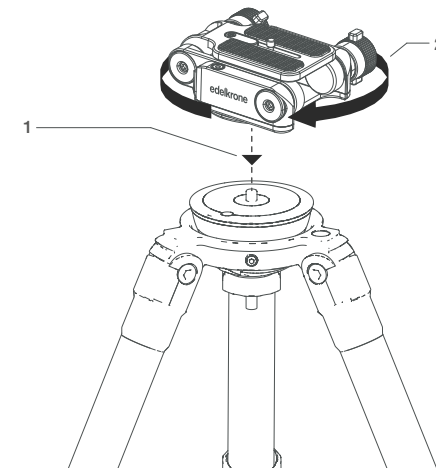
2. ATTACHING THE 3/8"-16 MOUNTING WHEEL



- FlexTILT Head PRO has two mounting screw options: 1/4"-20 & 3/8"-16.
1. Remove the indicated part with a screw driver.
 2. Remove the 1/4"-20 mounting screw.
 3. Attach the 3/8"-16 mounting screw.
 4. Attach the part back in its place.

A detailed video explaining how to change the mounting screws can be found at: <http://edel.kr/fthp>

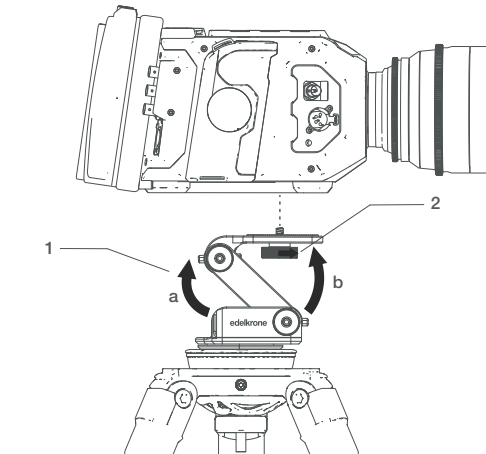
3. MOUNTING YOUR FLEXTILT HEAD PRO



1. Place your FlexTILT Head PRO on the screw.
2. Rotate clockwise to tighten.
3. Continue rotating until it is tightened.

A detailed video explaining the mounting process can be found at: <http://edel.kr/fthp>

4. MOUNTING THE CAMERA TO YOUR FLEXTILT HEAD PRO



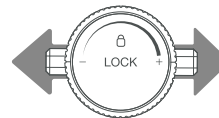
1. Unfold the FlexTILT Head PRO to access the mounting wheel.
2. Attach your camera using the mounting wheel.

When adjusting the height, adjust one point at a time. (a,b)

A detailed video explaining the mounting process can be found at: <http://edel.kr/fthp>

5. THE ADJUSTMENT/LOCKING KNOBS

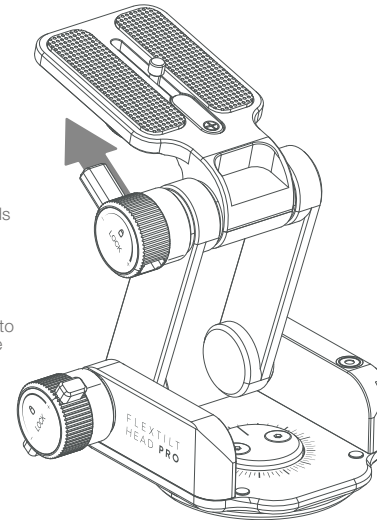
Magnetised Knob Lever



The Magnetized Knob Lever extends in either direction (as shown above) and can be used as a thumb rest to tighten the knob harder.

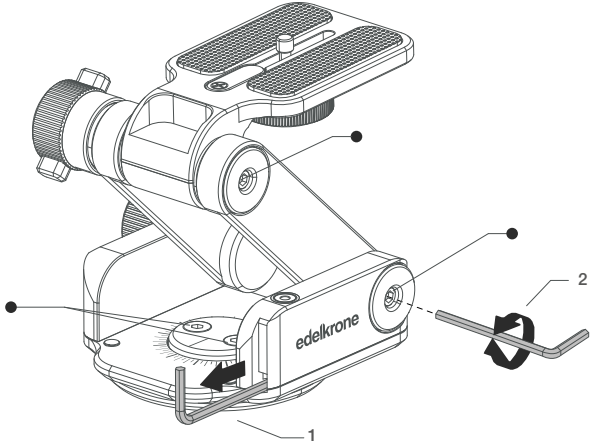
If the lever hits an obstacle during use, extend it in the other direction to continue tightening or loosening the knob.

Carrying capacity is 15 lb (6.8 kg) or less. Do not load more than the maximum capacity.



A detailed video explaining how to use adjustment knobs can be found at: <http://edel.kr/fthp>

6. ADJUSTING THE TENSION OF YOUR FLEXTILT HEAD PRO

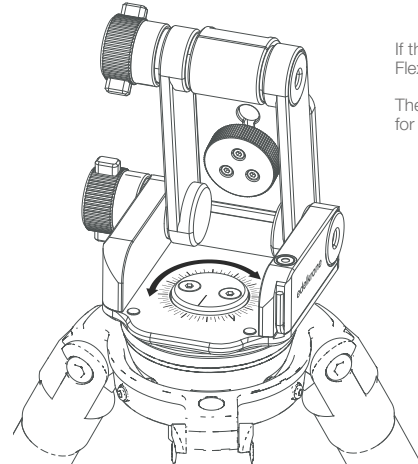


You can adjust the tension of the system with the help of a 3mm Allen wrench.

1. Remove the 3mm Allen wrench from the magnetic Allen holder.
2. Simply tighten or loosen the screws on each side.

A detailed video explaining adjusting tension can be found at: <http://edel.kr/fthp>

7. CAUTIONS AND TIPS



If the hash marks are turning, the FlexTILT Head PRO is panning.

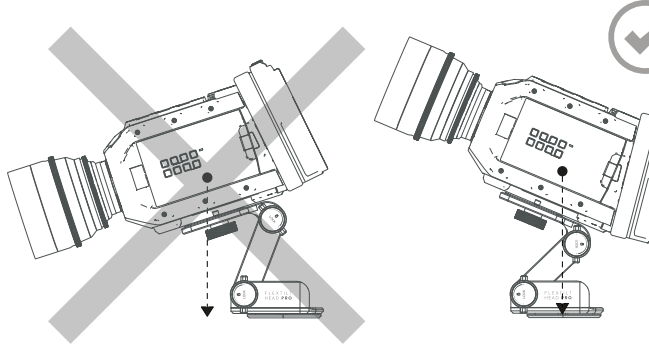
The FlexTILT Head PRO can pan for up to 340° degrees.

! When positioning the FlexTILT Head PRO, hold your camera for safety.

! Keep hands clear of moving parts when positioning your camera.

A detailed video explaining other tips can be found at: <http://edel.kr/fthp>

8. USE WITHOUT A TRIPOD



! To keep your set up balanced, ensure that the center of gravity is over the middle of the self standing area.

A detailed video explaining how to balance and turn the camera can be found at: <http://edel.kr/fthp>

DISCLAIMER

edelkrone cannot be held responsible for damage caused by improper use or modification of the product.

Caution!
Keep hands clear of moving parts when positioning your camera.

For more information and tips about your FlexTILT Head PRO, please watch the user's manual video at: <http://edel.kr/fthp>