

FOCUSONE v2

USER'S MANUAL

Before operating your edelkrone, please watch the user's manual video from the link below.

<http://edel.kr/fcov2>

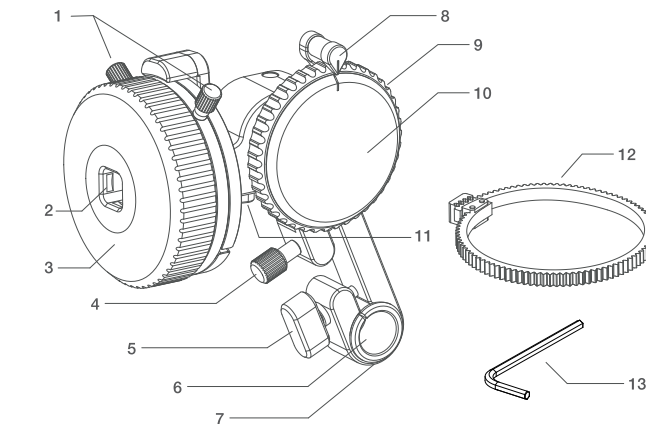


edelkrone
filmmaking solutions

TABLE OF CONTENTS

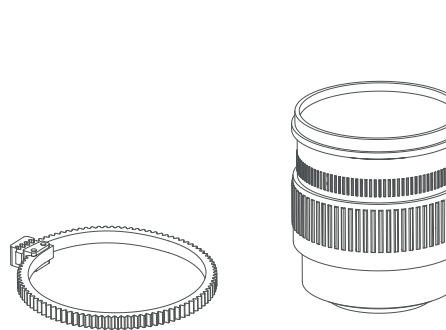
1. WHAT'S IN THE BOX & THE BASICS
2. ATTACHING LENS GEAR PRO
3. MOUNTING DIAMETERS
4. ADJUSTABLE PARTS
5. ATTACHING THE HARD STOPS
6. MOUNTING YOUR FOCUSONE v2
7. SETTING THE CONTROL WHEEL ANGLE
8. CHANGING SETUP TO RIGHT SIDE OF THE CAMERA LENS
9. CHANGING SETUP TO RIGHT SIDE OF THE CAMERA LENS (CONT.)
10. MARKING YOUR FOCUS POINT
11. ADJUSTING THE CONTROL WHEEL TENSION

1. WHAT'S IN THE BOX & THE BASICS



- | | |
|---|------------------------------|
| 1. Hard stops | 7. 19 mm rod clamp |
| 2. Accessory port | 8. Focus point marker |
| 3. Control wheel | 9. 0.8 pitch gear |
| 4. Control wheel angle adjustment screw | 10. Marking disc |
| 5. Thumb screw | 11. Tension adjustment screw |
| 6. 15 mm rod adapter | 12. Lens Gear PRO |
| | 13. 2.5 mm Allen key |

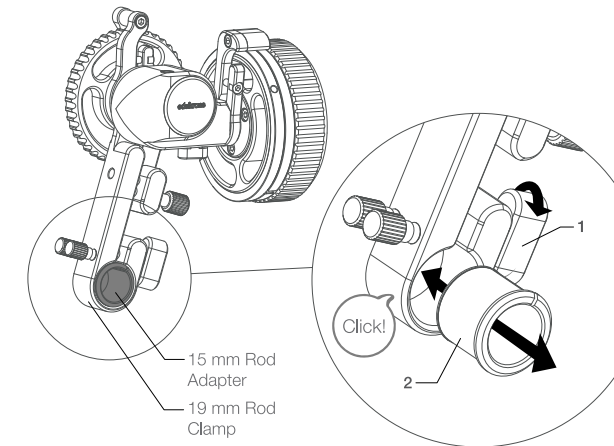
2. ATTACHING THE LENS GEAR PRO



If you have a cine lens, you don't need to attach Lens Gear PRO and may skip this step. If you don't have 0.8 pitch on your lens, attach Lens Gear PRO to your lens.

A detailed video explaining how to attach the Lens Gear can be found at: <https://edel.kr/fcov2>

3. MOUNTING DIAMETERS

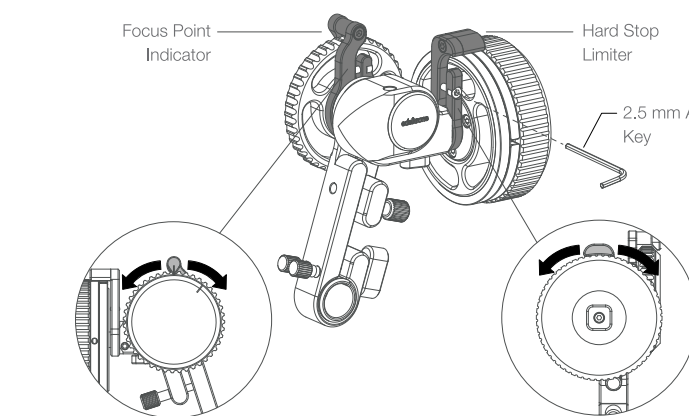


You can attach FocusONE v2 to 15 mm or 19 mm industry standard rods. The 15mm rod adapter comes ready to use on the product.

1. To attach the 19 mm rod, loosen the knob.
2. Push the 15 mm adapter out from the narrow diameter side.
3. Attach FocusONE v2 to 19 mm rod.

A detailed video explaining the mounting process can be found at: <https://edel.kr/fcov2>

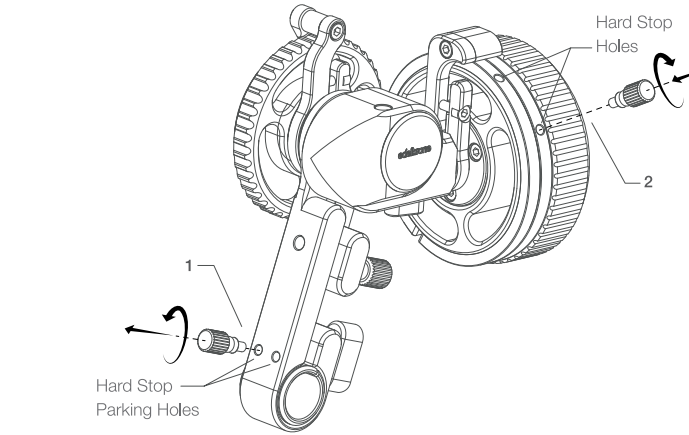
4. ADJUSTABLE PARTS



FocusONE v2 has focus point indicator and hard stop limiter. These parts can be positioned as you want by loosening the screws with the help of the 2.5 mm Allen key. Then, tighten the screws to fasten the parts.

A detailed video explaining the mounting process can be found at: <https://edel.kr/fcov2>

5. ATTACHING THE HARD STOPS

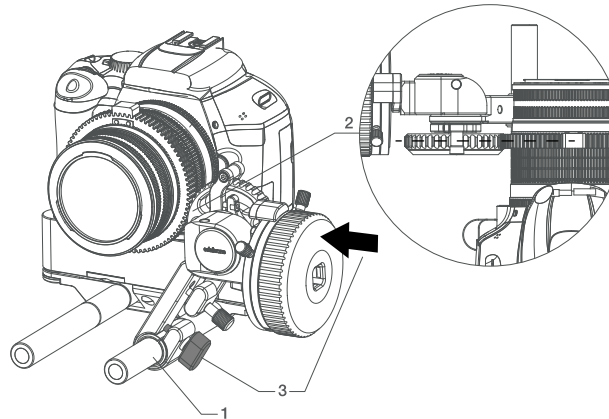


To attach hard stops:

1. Unscrew the hard stop from hard stop parking hole.
2. Screw the hard stop in to the hard stop hole on the focus wheel.
3. To fix your focus points, first loosen the hard stop, set your focus point, then tighten the hard stop.

A detailed video explaining the mounting process can be found at: <https://edel.kr/fcov2>

6. MOUNTING YOUR FOCUSONE v2

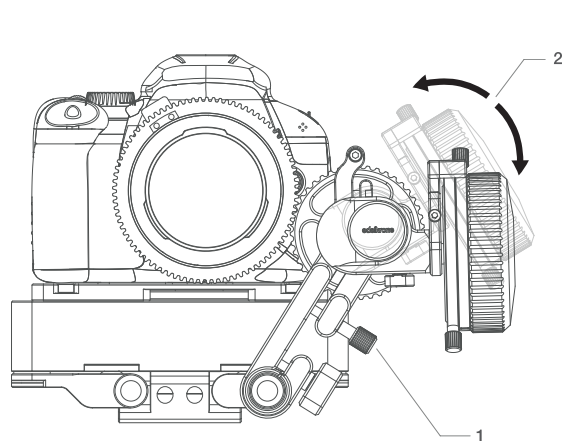


1. Attach FocusONE v2 to your 15 mm or 19 mm rod.
2. Make sure that the gear on your FocusONE v2 is aligned with the gear on your lens.
3. Tighten the thumb screw as you push FocusONE v2 toward your lens.

! To increase precision, make sure there are no gaps between the gears.

▶ A detailed video explaining the mounting process can be found at: <https://edel.kr/fcov2>

7. SETTING THE CONTROL WHEEL ANGLE

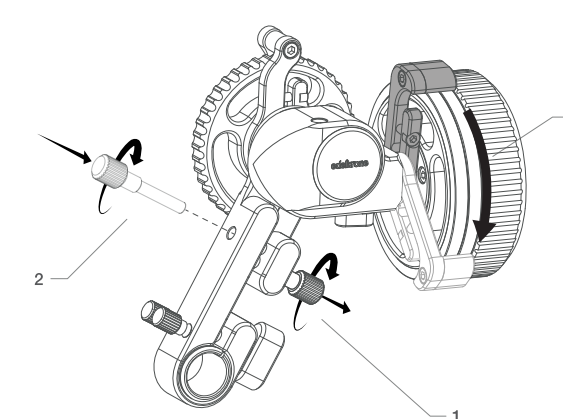


The control wheel can be adjusted to fit your shooting style.

1. Loosen the thumb screw.
2. Set your angle and tighten the thumb screw.

▶ A detailed video explaining the control wheel can be found at: <https://edel.kr/fcov2>

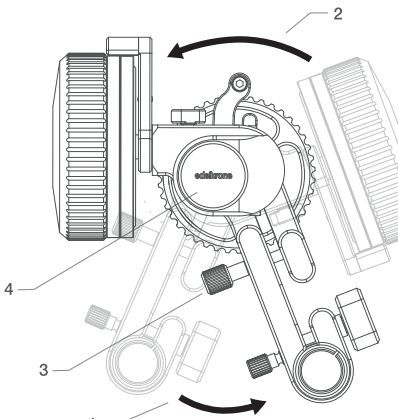
8. CHANGING SETUP TO RIGHT SIDE OF THE CAMERA LENS



1. Remove the thumb screw.
2. Place it on the opposite side as shown above. Do not tighten the thumb screw too much, leave it loose.
3. Rotate the hard stop limiter upside down 180°.

▶ A detailed video explaining the control wheel can be found at: <https://edel.kr/fcov2>

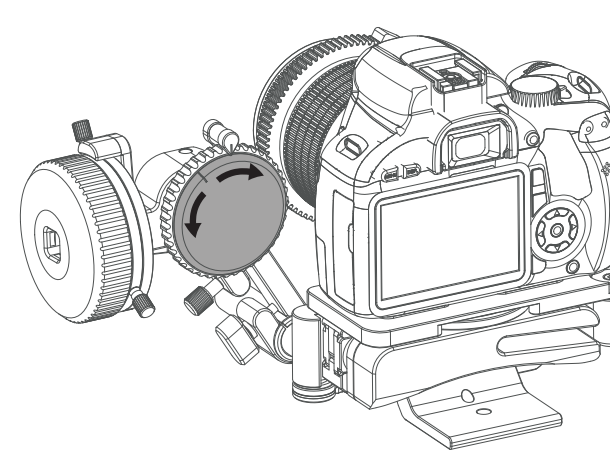
9. CHANGING SETUP TO RIGHT SIDE OF THE CAMERA LENS (CONT.)



1. Push the rod clamp to the right side as shown.
2. Rotate the control wheel to the left 180 degrees.
3. Tighten the thumb screw. Now FocusONE v2 is ready to use on right side of the camera lens!
4. edelkrone brand logo part is rotatable. You can rotate it according to the direction of your installation.

▶ A detailed video explaining the control wheel can be found at: <https://edel.kr/fcov2>

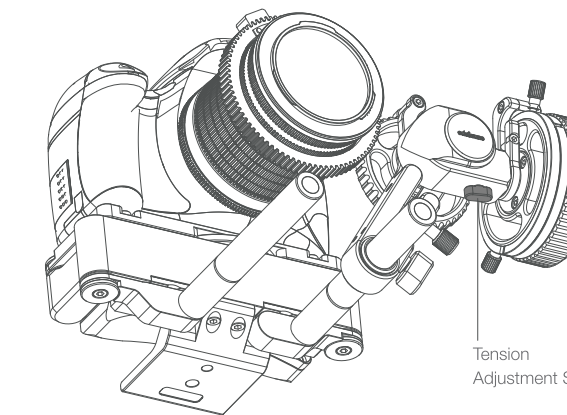
10. MARKING YOUR FOCUS POINT



The best way to use your FocusONE v2 is finding your focus point with the control wheel and aligning the disc with the focus point marker as precisely as possible with your hand. This means you marked your focus point. Now you can leave and return to your focus point as you like.

▶ A detailed video explaining the marking your point process can be found at: <https://edel.kr/fcov2>

11. ADJUSTING THE CONTROL WHEEL TENSION



You can easily adjust the control wheel tension by tightening or loosening the tension adjustment screw. While checking the play from the control wheel, tighten or loosen the screw to a point that is still comfortable to control the wheel.

! The tension adjustment may not be noticeable on stiff camera lens rings.

! The tension adjustment does not work above a certain level of stiffness and cannot be used as a locking mechanism.

▶ A detailed video explaining how to adjust the tension can be found at: <https://edel.kr/fcov2>

DISCLAIMER

edelkrone cannot be held responsible for damage caused by improper use or modification of the product.

▶ For more information and tips on FocusONE v2, please watch the user's manual videos at: <https://edel.kr/fcov2>