

VISION MODULE

USER'S MANUAL

Before operating your edelkrone, please watch the user's manual video from the link below.

<http://edel.kr/vnm>

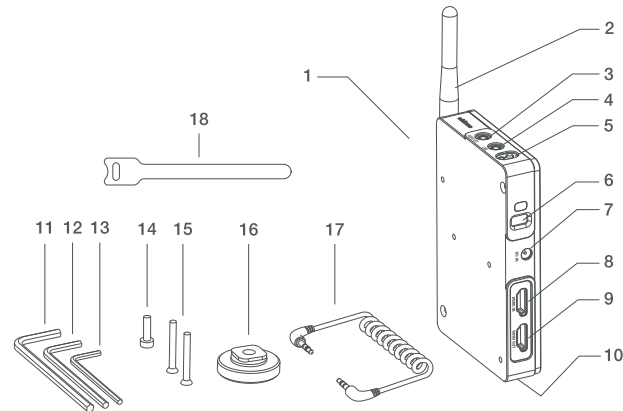


edelkrone
filmmaking solutions

TABLE OF CONTENTS

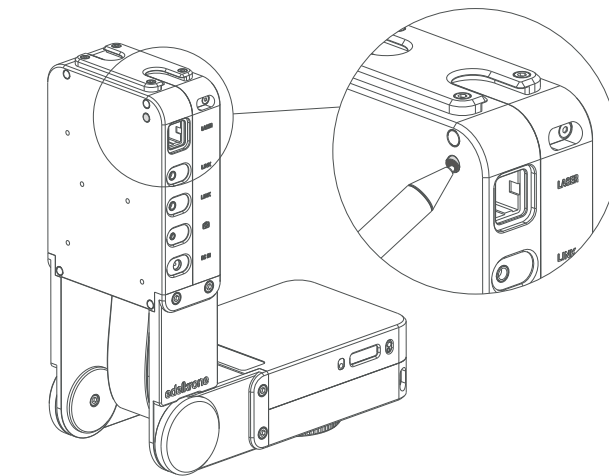
1. WHAT'S IN THE BOX & THE BASICS
2. ATTACHING VISION MODULE TO HEADPLUS V2/HEADPLUS V2 PRO
3. ATTACHING VISION MODULE TO HEADPLUS V2/HEADPLUS V2 PRO (CONT.)
4. POWER CONNECTION
5. LINK CONNECTION
6. HDMI CONNECTION
7. VISION MODULE COLD SHOE ASSEMBLY
8. COLD SHOE SCENARIOS
9. START USING

1. WHAT'S IN THE BOX & THE BASICS



- | | | |
|-----------------------|----------------------|---------------------------------|
| 1. Vision Module | 7. DC IN port | 13. 2 mm Allen key |
| 2. Antenna | 8. HDMI IN port | 14. M4x16 SHCS |
| 3. AUDIO OUT port | 9. HDMI OUT port | 15. M3x30 FHCS (x2) |
| 4. LINK port | 10. USB port | 16. Cold shoe adapter |
| 5. On/Off button | 11. 3 mm Allen key | 17. 3.5 mm to 3.5 mm link cable |
| 6. Information screen | 12. 2.5 mm Allen key | 18. Cable tie |

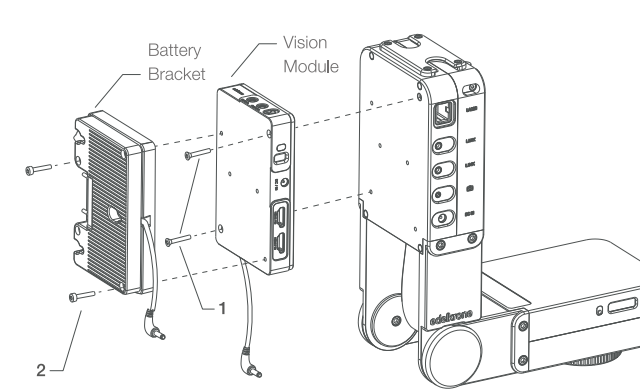
2. ATTACHING VISION MODULE TO HEADPLUS V2/HEADPLUS V2 PRO



Remove the plastic cover with the help of a pointed object, such as a pen.

A detailed video explaining the mounting process can be found at: <http://edel.kr/vnm>

3. ATTACHING VISION MODULE TO HEADPLUS V2/HEADPLUS V2 PRO (CONT.)

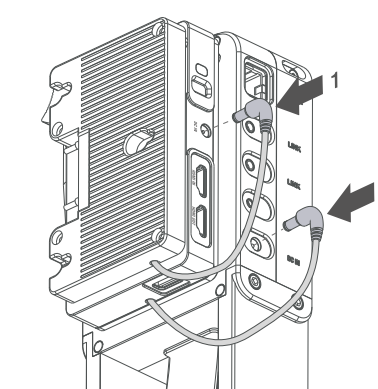


1. Mount your Vision Module to HeadPLUS v2 / HeadPLUS v2 PRO as shown above using the two M3x30 FHCS that comes in the product box.
2. Mount your battery bracket to Vision Module with 2 screws. Battery brackets are sold separately.

(Supported battery brackets: Gold Mount, V-Mount, Canon LP-E6, Sony NP-F)

A detailed video explaining the mounting process can be found at: <http://edel.kr/vnm>

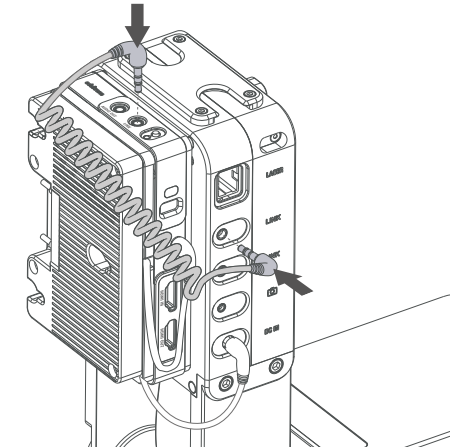
4. POWER CONNECTION



1. Plug the battery bracket power cable into the **DC IN** port of Vision Module.
2. Plug the power cable of Vision Module into the **DC IN** port of HeadPLUS v2 or HeadPLUS v2 PRO.

A detailed video explaining the cable connections can be found at: <http://edel.kr/vnm>

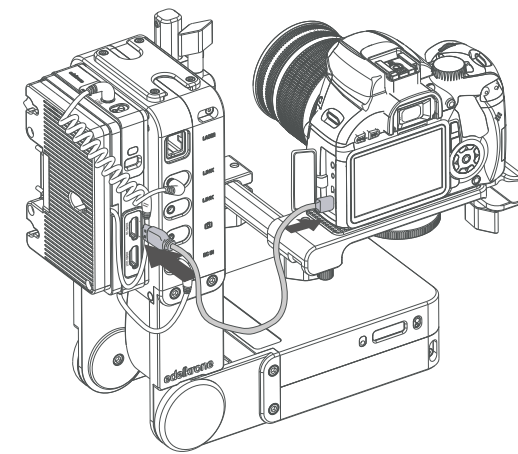
5. LINK CONNECTION



Connect Vision Module and HeadPLUS v2 or HeadPLUS v2 PRO by plugging the 3.5 mm to 3.5 mm Link Cable provided into the **LINK** ports located on each device.

A detailed video explaining the cable connections can be found at: <http://edel.kr/vnm>

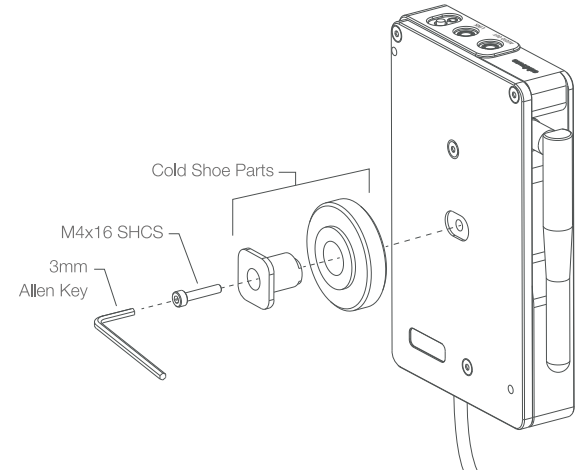
6. HDMI CONNECTION



Connect your camera to Vision Module by plugging an HDMI cable in to the **HDMI IN** port located on Vision Module.

A detailed video explaining the cable connections can be found at: <http://edel.kr/vnm>

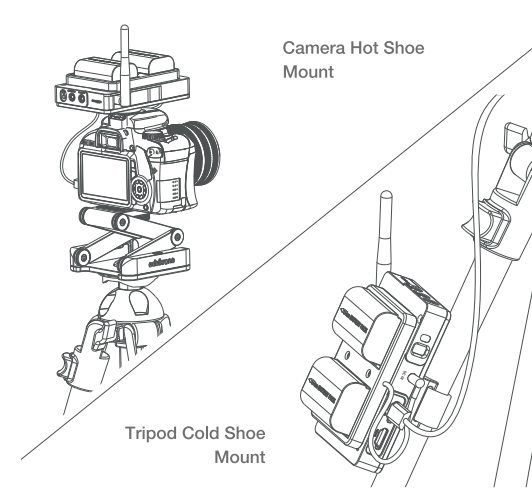
7. VISION MODULE COLD SHOE ASSEMBLY



To mount your Vision Module to a camera hot shoe or any cold shoe, mount the cold shoe parts to your Vision Module using M4x16 SHCS that comes in the product box.

A detailed video explaining the mounting process can be found at: <http://edel.kr/vnm>

8. COLD SHOE SCENARIOS



(Tripod cold shoe adapter sold separately.)

9. START USING



1. Download edelkrone App to your mobile device from the App Store or Google Play. Links can be found at www.edelkrone.com/products/vision-module
2. Power up your Vision Module, HeadPLUS v2/HeadPLUS v2 PRO and camera. To operate Vision Module, hold the On/Off button down until the opening bar in the information screen is completed.
3. Vision Module is now ready for smart pairing or manual pairing via Bluetooth/Wifi.
4. After pairing the devices, you are now ready to use your Vision Module. Just keep following the instructions on your mobile device or visit manuals.edelkrone.com for detailed video instructions.

Always start using with fully charged batteries.

Make sure your mobile device's Bluetooth connection is on.

A detailed video explaining the edelkrone App can be found at: <http://edel.kr/vnm>

DISPOSAL OF THE PRODUCT & WARNINGS

Should the product become damaged beyond repair, or if you wish to dispose of it, it must be disposed separately from the municipal waste stream via designated collection facilities appointed by the government or the local authorities. Observe the regulations of your area and country that relate to the disposal of electronic products.

- * Keep your electronic Motion Control Unit away from all sorts of liquids.
- * In order to preserve your Motion Control Unit and battery performance at their best, use the exact same type of batteries with an equivalent level of charge during dual-battery operation.
- * Do not attempt to disassemble or modify any internal parts of your Motion Control Unit. If the device appears to be malfunctioning, discontinue use immediately and contact support for qualified service.
- * Never force a different type of connector into a port.
- * Never use or store your Motion Control Unit in areas subject to extreme temperatures, or high levels of vibration.
- * If your Motion Control Unit becomes unresponsive, disconnect and re-connect the power source. Make sure your DC adapter is plugged in or your batteries are properly charged. If the problem persists, contact our support team.
- * Environmental factors may affect your Motion Control Unit's performance. Keep your product away from environmental hazards such as dust or heavy resonance. Do not use chemical materials to clean your product.
- * If there is an impairment on the power or connector cable, stop using the Motion Control Unit immediately.
- * Avoid dropping or causing physical damage to your Motion Control Unit.
- * Do not place heavy objects on top of your Motion Control Unit.
- * edelkrone cannot be held responsible for damage caused by improper use or modification of the product.
- * Rated Voltage: 9V Rated Current: 2A Operating Temperature: -5°C to +45°C

For more information and tips about your Vision Module, please watch the user's manual videos at: <http://edel.kr/vnm>